

# FORD TRANSIT CONNECT 2024



## UPFIT GUIDE





# HELPING MOBILE TECHNICIANS WORK MORE EFFECTIVELY BY PROVIDING ORGANIZED STORAGE SOLUTIONS

**AT RANGER DESIGN,  
WE BELIEVE MORE IS POSSIBLE.**

We believe work vehicles and the technicians who drive them can become more organized, efficient, productive, and profitable. At Ranger Design, we are committed to providing you with the products and services that make this possible.

More means helping you choose the right work van for your application, as well as giving you engineering support and expert advice to help design the most efficient work space in your new vehicle.

More also means getting that new van outfitted and on the road faster, so you can start using it for the reason you bought it.

We're committed to bringing you more, because we believe more is possible.





**CONTRACTOR**

P. 6



**SERVICE**

P. 7



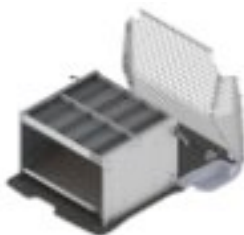
**ELECTRICAL**

P. 8



**HVAC**

P. 9



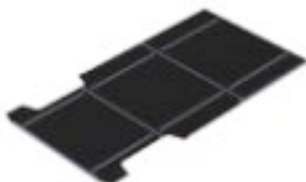
**DELIVERY**

P. 10



**ALUMINUM**

P. 11



**FLOORS AND STORAGE**

P. 12



**ACCESSORIES**

P. 14



**LADDER RACKS**

P. 16

## Large Distributor Network Across the Continent

---

**Buy**

Ranger Design Quickship service is available through your local distributor. [rangerdesign.com/find-distributor](http://rangerdesign.com/find-distributor)

---

**Lead Time**

Quickship orders placed before 1PM EST, will ship from our factory in the next business day.

---



All products with this symbol are available on Quickship

# HOW TO USE THE LAYOUT GUIDE

**INSIDE ROOF HEIGHT**

To determine the maximum shelf height that can be used in the van.

**PARTITION DEPTH**

This indicates the space taken up by our partition for this vehicle. Please note that this measurement is determined by the partition that encroaches the most. Some partitions may take up less space. Take note that this measurement may not necessarily be on the floor.

**DOOR OPENING**

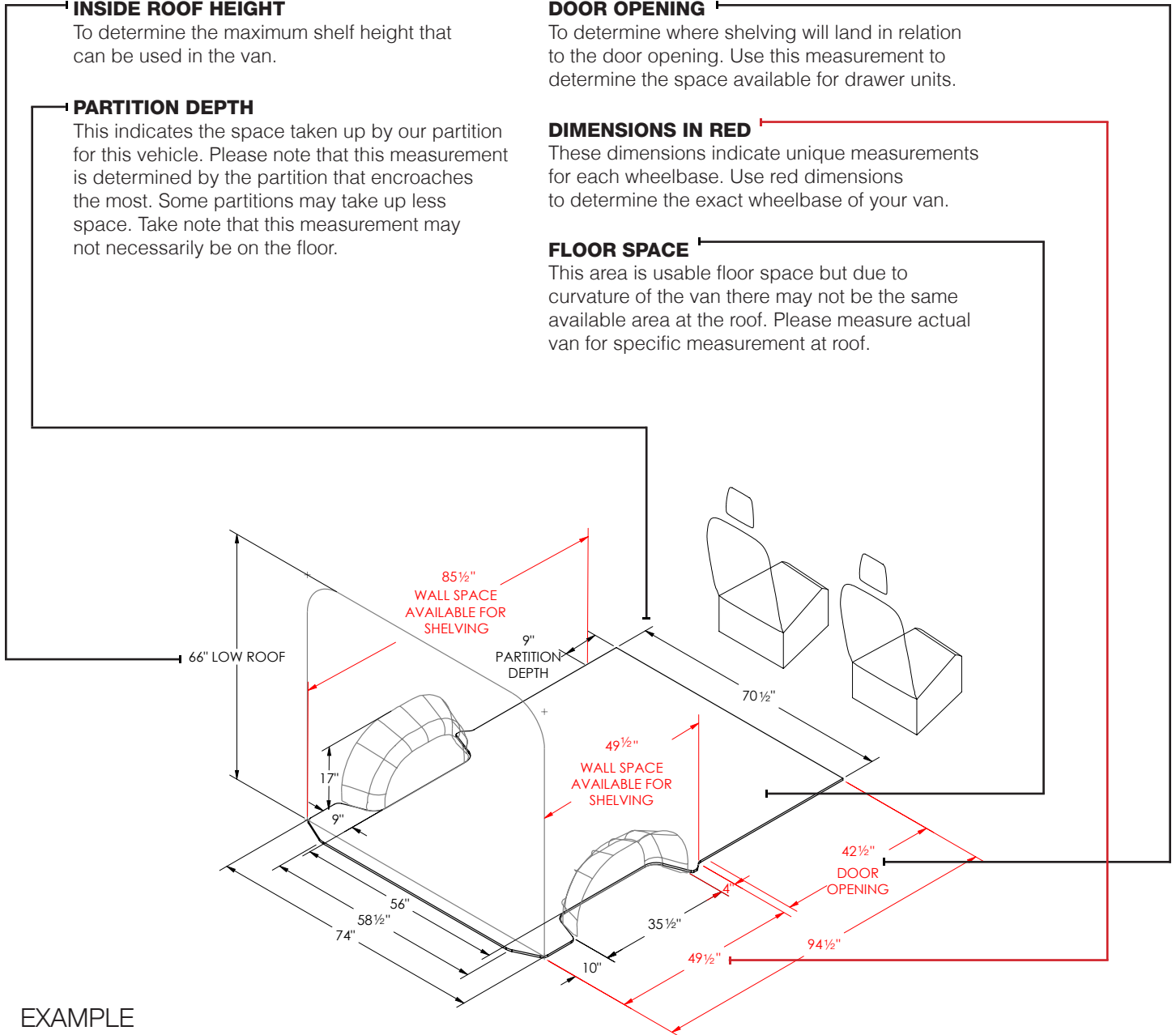
To determine where shelving will land in relation to the door opening. Use this measurement to determine the space available for drawer units.

**DIMENSIONS IN RED**

These dimensions indicate unique measurements for each wheelbase. Use red dimensions to determine the exact wheelbase of your van.

**FLOOR SPACE**

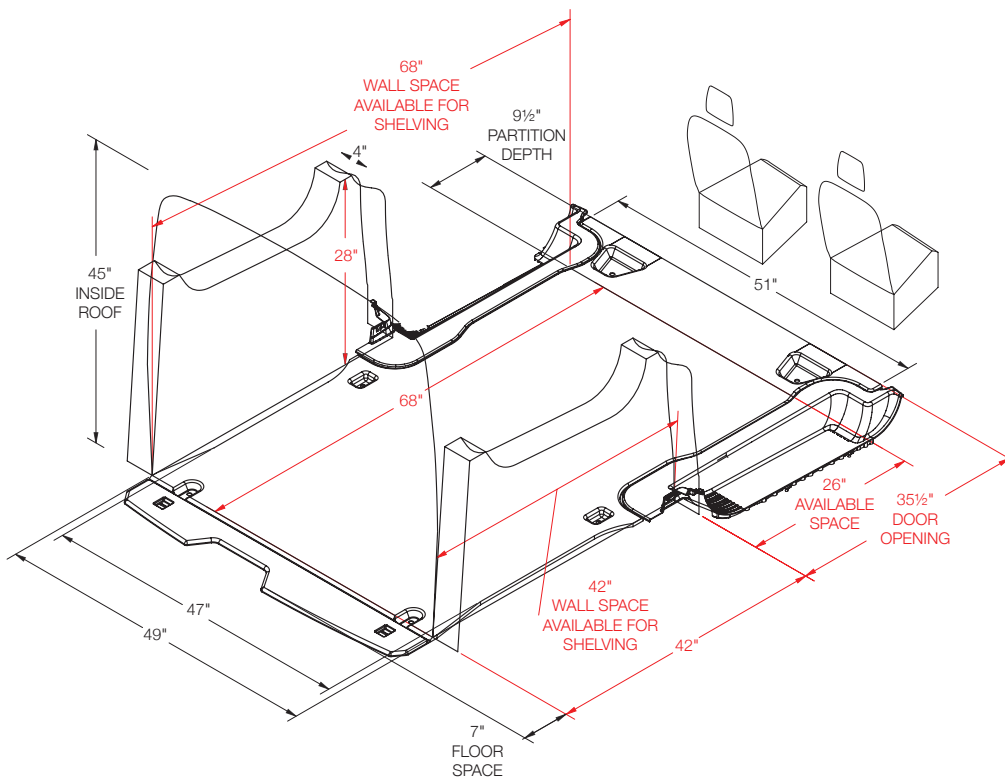
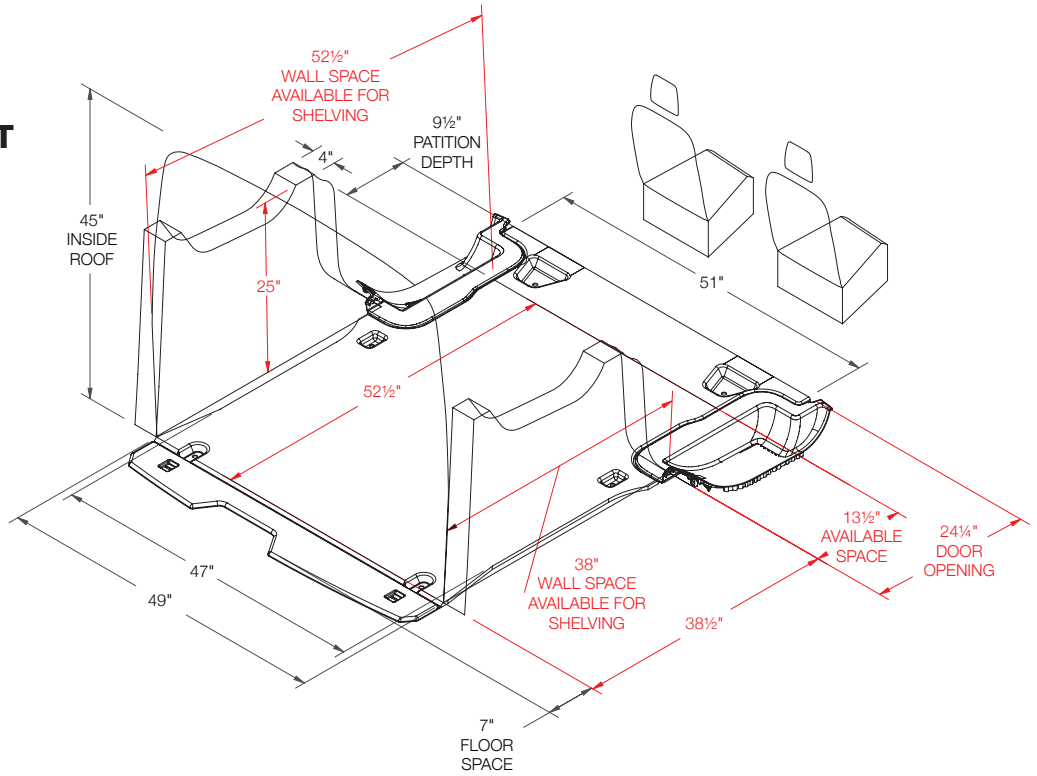
This area is usable floor space but due to curvature of the van there may not be the same available area at the roof. Please measure actual van for specific measurement at roof.



EXAMPLE LAYOUT GUIDE

## FORD TRANSIT CONNECT

Short 105" Wheelbase  
Available in U.S. only



## FORD TRANSIT CONNECT

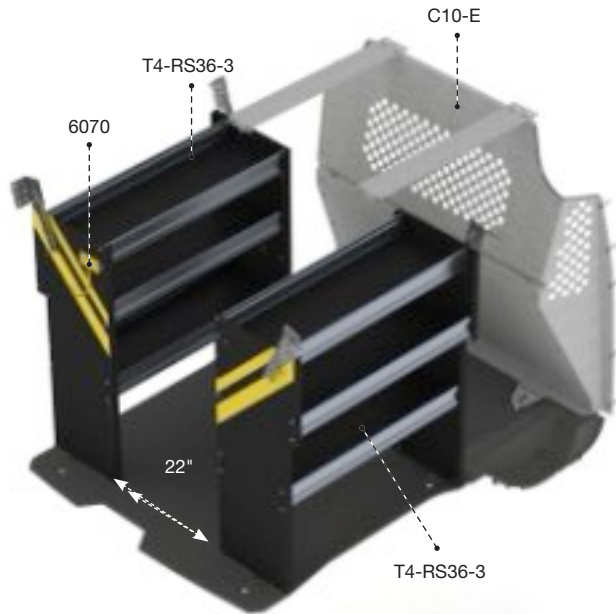
Long 120.5" Wheelbase





# CONTRACTOR

CONTRACTOR

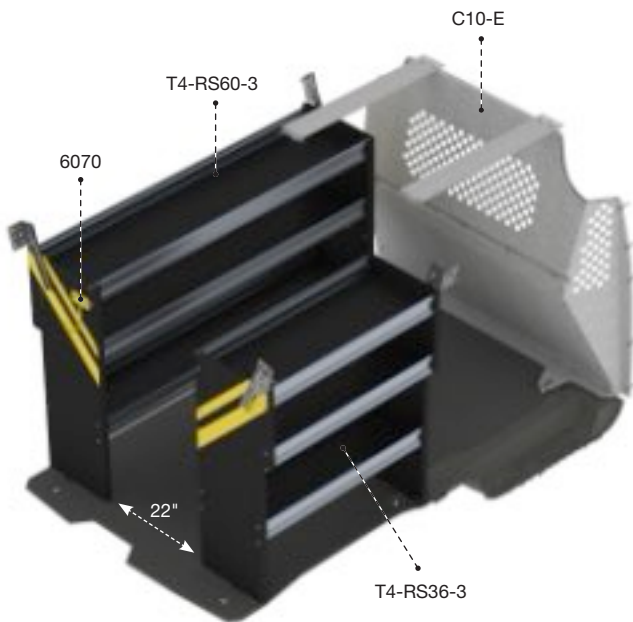


## TCS-10 CONTRACTOR

Steel	105"	Standard
149 lbs	3.2 hrs	Yes

Qty	Part #	Description
1	6070	6" Hook, 3" opening, painted
1	C10-E	Contoured steel partition with perforated window
2	T4-RS36-3	Steel shelving unit, 14" D x 36" W x 41.5" H

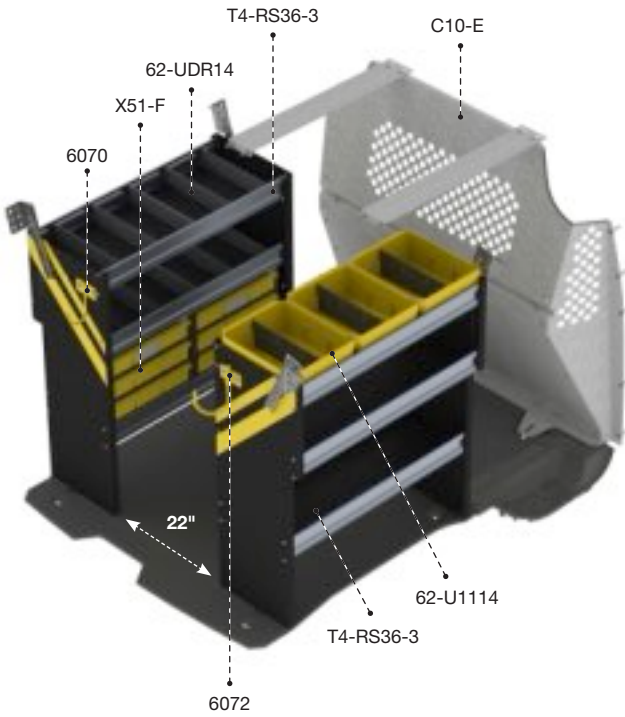
VISIT  
RANGERDESIGN.COM  
TO VIEW OUR  
SAFETY PARTITIONS:









## TCL-10 CONTRACTOR

Steel	120.5"	Standard
164 lbs	3.2 hrs	Yes

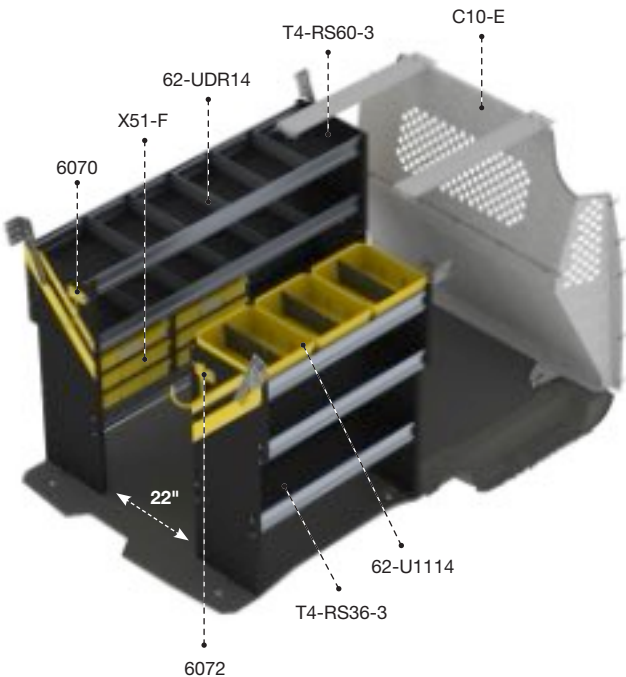
Qty	Part #	Description
1	6070	6" Hook, 3" opening, painted
1	C10-E	Contoured steel partition with perforated window
1	T4-RS36-3	Steel shelving unit, 14" D x 36" W x 41.5" H
1	T4-RS60-3	Steel shelving unit, 14" D x 60" W x 41.5" H









## TCS-16 SERVICE

 Steel	 105"	 Standard
 217 lbs	 4 hrs	 Yes

Qty	Part #	Description
1	6070	6" Hook, 3" opening, painted
1	6072	8" Swivel hook, 4" opening, painted
3	62-U1114	14" deep plastic bin
2	62-UDR14	Set of 5 dividers for a 14" Shelf
1	C10-E	Contoured steel partition with perforated window
2	T4-RS36-3	Steel Shelving unit, 14" D x 36" W x 41.5" H
2	X51-F	Compact 9-drawer unit



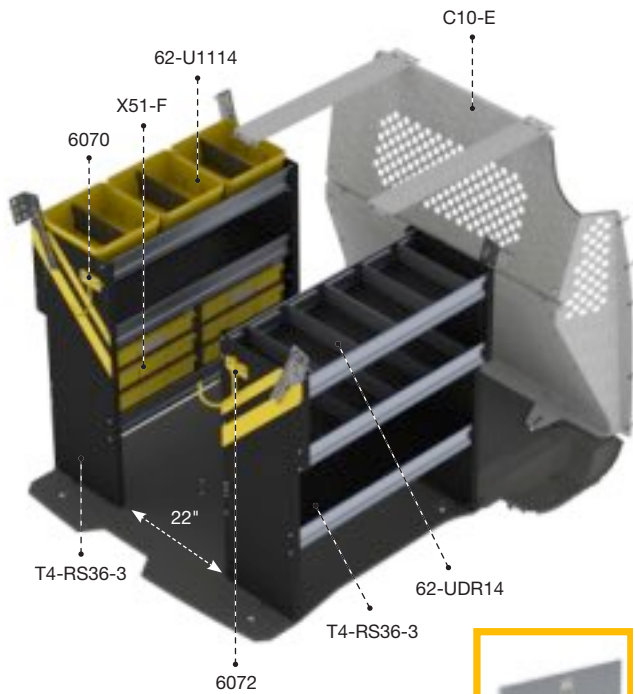
## TCL-16 SERVICE

 Steel	 120.5"	 Standard
 232 lbs	 4 hrs	 Yes

Qty	Part #	Description
1	6070	6" Hook, 3" opening, painted
1	6072	8" Swivel hook, 4" opening, painted
3	62-U1114	14" deep plastic bin
2	62-UDR14	Set of 5 dividers for a 14" Shelf
1	C10-E	Contoured steel partition with perforated window
1	T4-RS36-3	Steel Shelving unit, 14" D x 36" W x 41.5" H
1	T4-RS60-3	Steel Shelving unit, 14" D x 60" W x 41.5" H
2	X51-F	Compact 9-drawer unit

# ELECTRICAL

ELECTRICAL

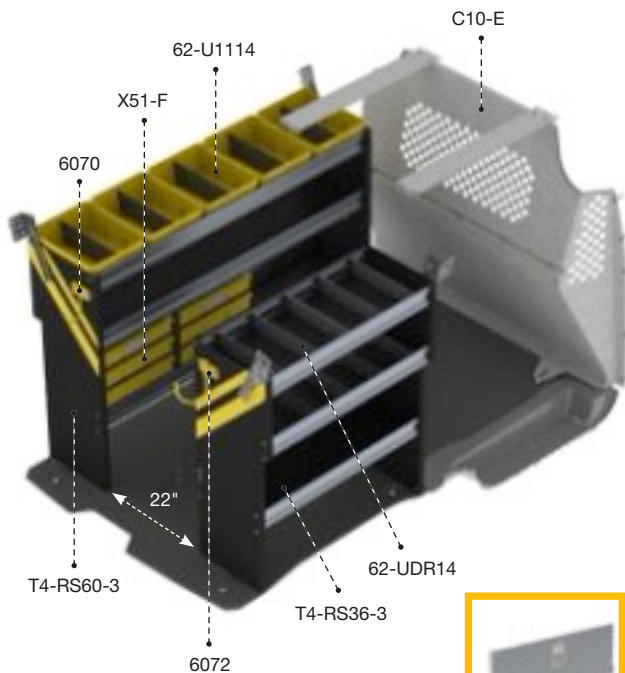


77-U1036

## TCS-11 ELECTRICAL

Steel	105"	Standard
223 lbs	4.5 hrs	Yes

Qty	Part #	Description
1	6070	6" Hook, 3" opening, painted
1	6072	8" Swivel hook, 4" opening, painted
3	62-U1114	14" deep plastic bin
2	62-UDR14	Set of 5 dividers for a 14" Shelf
1	77-U1036	Adjustable shelving door unit - 33" W - for 36" & 72" shelves
1	C10-E	Contoured steel partition with perforated window
2	T4-RS36-3	Steel Shelving unit, 14" D x 36" W x 41.5" H
2	X51-F	Compact 9-drawer unit



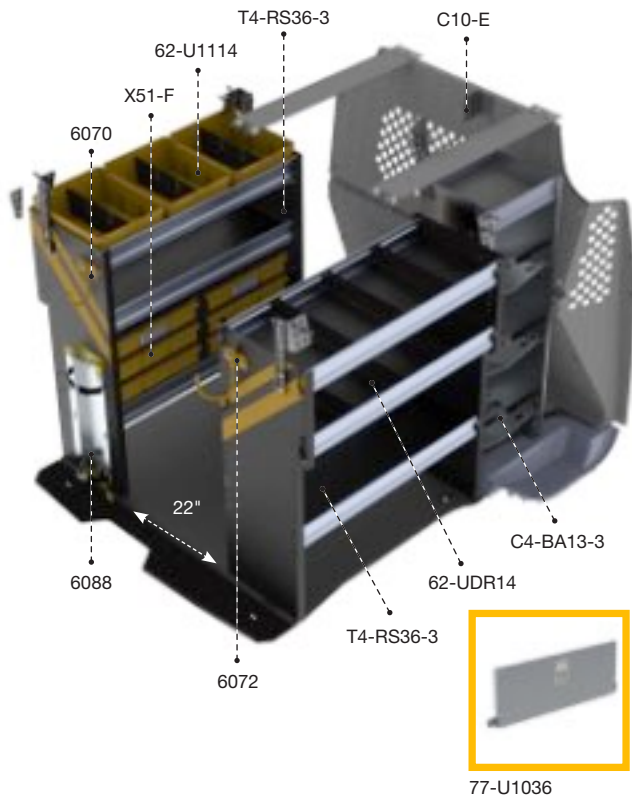
77-U1036

## TCL-11 ELECTRICAL

Steel	120.5"	Standard
164 lbs	4.5 hrs	Yes

Qty	Part #	Description
1	6070	6" Hook, 3" opening, painted
1	6072	8" Swivel hook, 4" opening, painted
5	62-U1114	14" deep plastic bin
2	62-UDR14	Set of 5 dividers for a 14" Shelf
1	77-U1036	Adjustable shelving door unit - 33" W - for 36" & 72" shelves
1	C10-E	Contoured steel partition with perforated window
1	T4-RS36-3	Steel Shelving unit, 14" D x 36" W x 41.5" H
1	T4-RS60-3	Steel Shelving unit, 14" D x 60" W x 41.5" H
2	X51-F	Compact 9-drawer unit



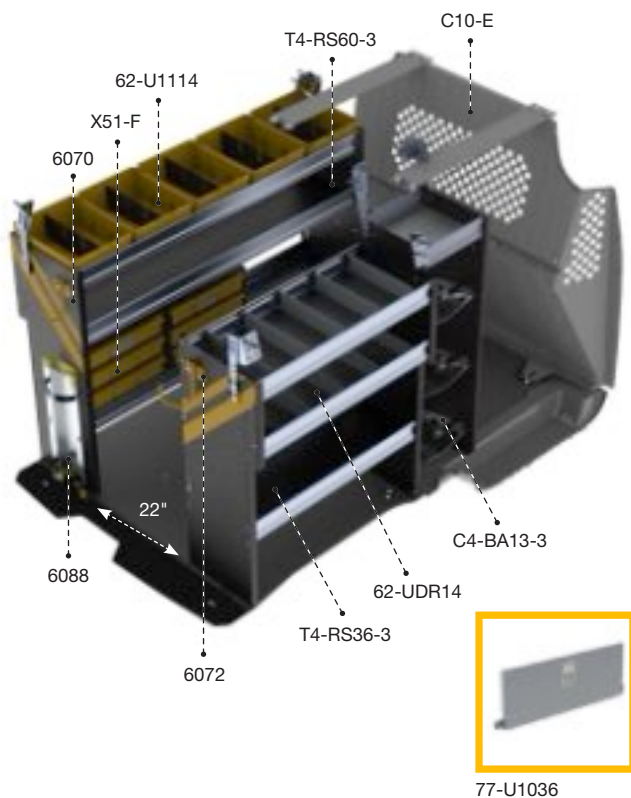


## TCS-12 HVAC

Steel	105"	Standard
254 lbs	5.3 hrs	Yes

Qty	Part #	Description
1	<b>C4-BA13-3</b>	3 Tier refrigerant rack for large bottles
1	<b>6070</b>	6" Hook, 3" opening, painted
1	<b>6072</b>	8" Swivel hook, 4" opening, painted
1	<b>6088</b>	Large aluminum bottle holder, with two black nylon straps
3	<b>62-U1114</b>	14" Deep plastic bin
2	<b>62-UDR14</b>	Set of 5 dividers for a 14" shelf
1	<b>77-U1036</b>	Adjustable shelving door unit - 33" W - for 36" & 72" shelves
1	<b>C10-E</b>	Contoured steel partition with perforated window
2	<b>T4-RS36-3</b>	Steel shelving unit, 14" D x 36" W x 41.5" H
2	<b>X51-F</b>	Compact 9-drawer unit

HVAC

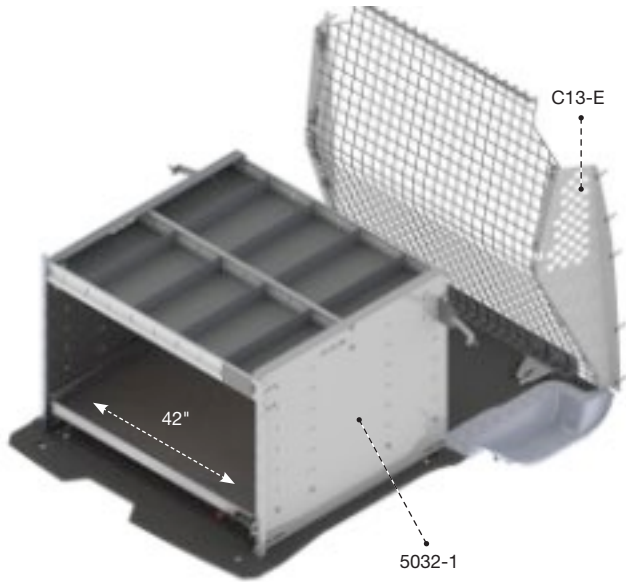


## TCL-12 HVAC

Steel	120.5"	Standard
273 lbs	5.3 hrs	Yes

Qty	Part #	Description
1	<b>C4-BA13-3</b>	3 Tier refrigerant rack for large bottles
1	<b>6070</b>	6" Hook, 3" opening, painted
1	<b>6072</b>	8" Swivel hook, 4" opening, painted
1	<b>6088</b>	Large aluminum bottle holder, with two black nylon straps
5	<b>62-U1114</b>	14" Deep plastic bin
2	<b>62-UDR14</b>	Set of 5 dividers for a 14" shelf
1	<b>77-U1036</b>	Adjustable shelving door unit - 33" W - for 36" & 72" shelves
1	<b>C10-E</b>	Contoured steel partition with perforated window
1	<b>T4-RS36-3</b>	Steel shelving unit, 14" D x 36" W x 41.5" H
1	<b>T4-RS60-3</b>	Steel Shelving unit, 14" D x 60" W x 41.5" H
2	<b>X51-F</b>	Compact 9-drawer unit

# DELIVERY

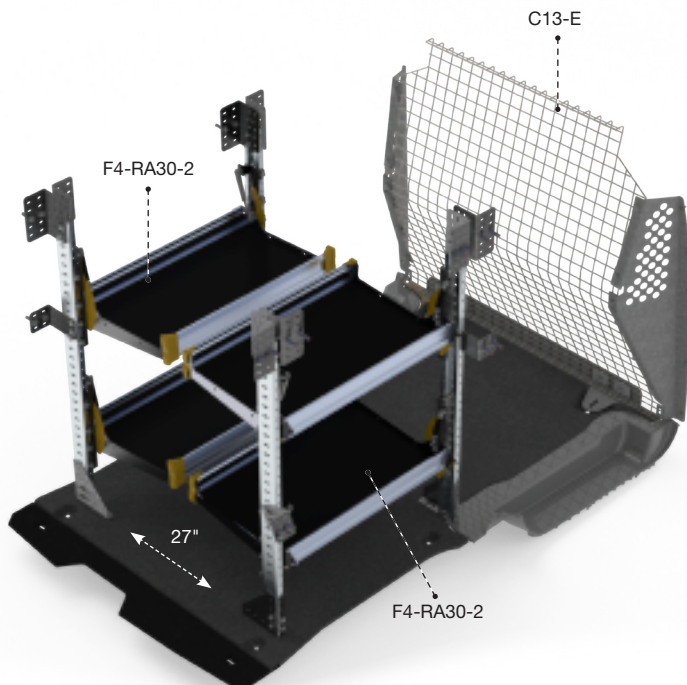


## TCS-19 DELIVERY

Aluminum	105"	Standard
126 lbs	1.7 hrs	Yes

Qty	Part #	Description
1	5032-1	Axess tray with 1 shelf and 1 drawer, 38" D x 45" W x 30" H
1	C13-E	Wire mesh partition

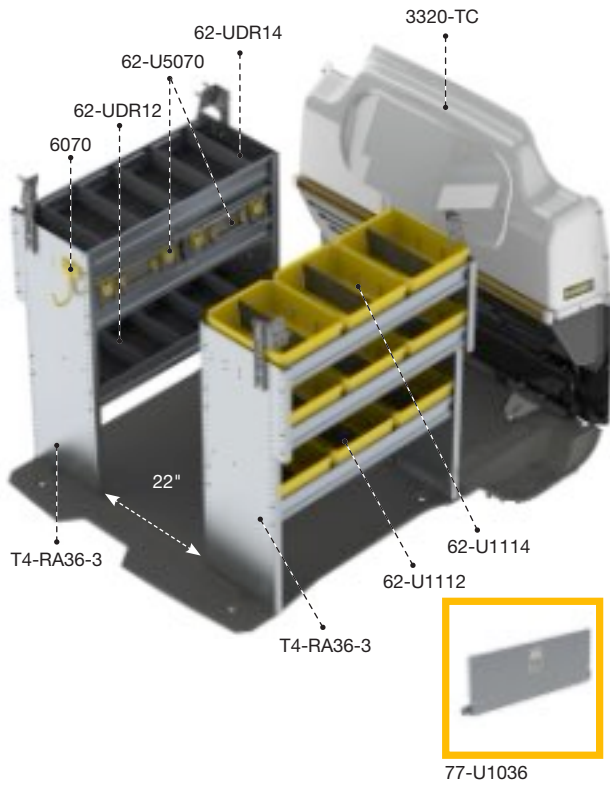
DELIVERY



## TCL-19 DELIVERY

Aluminum	120.5"	Standard
154 lbs	3.9 hrs	Yes

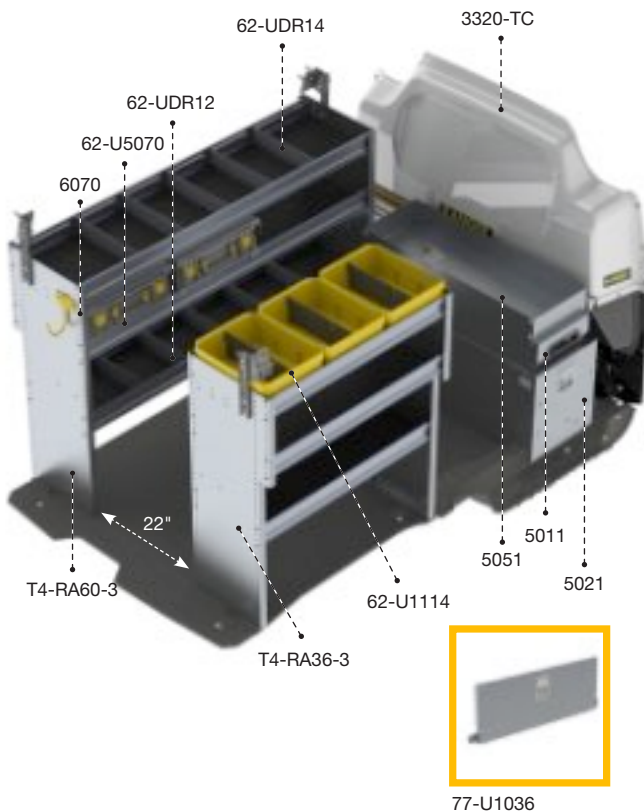
Qty	Part #	Description
1	C13-E	Wire mesh partition
2	F4-RA30-2	Fold-away unit, 2 levels, 22" D x 30" W x 47" H



## TCS-27 ALUMINUM

Aluminum	105"	Standard
161 lbs	4.3 hrs	Yes

Qty	Part #	Description
1	<b>3320-TC</b>	Max View countoured safety partition
2	<b>62-U5070</b>	Partskeeper carry case with holder
1	<b>6070</b>	6" Hook, 3" opening, painted
3	<b>62-U1112</b>	12" Deep plastic bin
6	<b>62-U1114</b>	14" Deep plastic bin
1	<b>62-UDR12</b>	Set of 5 dividers for a 12" shelf
1	<b>62-UDR14</b>	Set of 5 dividers for a 14" shelf
1	<b>77-U1036</b>	Adjustable shelving door unit - 33" W - for 36" & 72" shelves
2	<b>T4-RA36-3</b>	Aluminum shelving unit, 14" D x 36" W x 41.5" H



## TCL-27 ALUMINUM

Aluminum	120.5"	Standard
240 lbs	6 hrs	Yes

Qty	Part #	Description
1	<b>3320-TC</b>	Max View countoured safety partition
1	<b>5011</b>	Partslider 36" D
1	<b>5021</b>	Tool drawer 36" D x 14" W x 16" H
1	<b>5051</b>	Top edge
2	<b>62-U5070</b>	Partskeeper carry case with holder
1	<b>6070</b>	6" Hook, 3" opening, painted
3	<b>62-U1114</b>	14" Deep plastic bin
1	<b>62-UDR12</b>	Set of 5 dividers for a 12" shelf
1	<b>62-UDR14</b>	Set of 5 dividers for a 14" shelf
1	<b>77-U1036</b>	Adjustable shelving door unit - 33" W - for 36" & 72" shelves
1	<b>T4-RA36-3</b>	Aluminum shelving unit, 14" D x 36" W x 41.5" H
1	<b>T4-RA60-3</b>	Aluminum shelving unit, 14" D x 60" W x 41.5" H

# FLOORS & DRAWERS

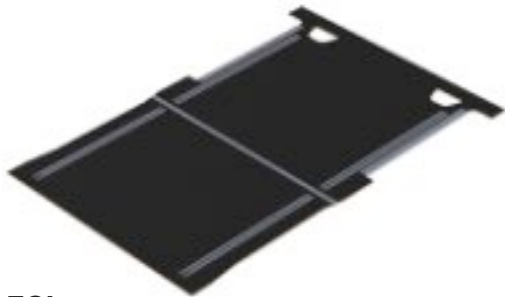
## FLOORS

An easy and efficient solution that prevents damage to the factory floor of the van.



### 6540-FCS

Ford Transit Connect floor for the 105" Wheelbase



### 6540-FCL

Ford Transit Connect floor for the 120.5" Wheelbase



## DRAWERS

Increase storage and organization with Ranger Design's line of drawer units.

FLOORS & DRAWERS



### 5010

Partslider drawer



### 5020

Tool drawer 48"D x 14"W x 16"H



### 5048

Top edge, for 5010 Partslider



**TOOL DRAWER TIP:** Stack these drawers for maximum efficiency



# STORAGE UNITS

Ergonomic storage solutions for the cargo space in your vehicle.



CAN BE INSTALLED EITHER WAY



### 62-U5070

Partskeeper carry case with holder



### 62-U5074

Partskeeper floor mount cabinet with 4 carry cases



### C2-PA18-4

Aluminum Partskeeper cabinet with 4 carry cases



### C4-PA18-8

Aluminum Partskeeper cabinet with 8 carry cases



### N4-PS20-8

Steel Partskeeper cabinet with 8 carry cases



### N4-LS16-1

Locker with top shelf, (Comes with 2 hooks)



### S2-WA48-0

Workbench, with hardwood top, one end panel, drawer cabinet not included

Compatible cabinet:  
5067-6



### S2-WA48-1

Workbench, with hardwood top, one end panel, drawer cabinet not included



### 62-U5079

Partskeeper carry case with 8 removable yellow bins



# ACCESSORIES

## ACCESSORIES

Choose the finishing details to tailor the upfit to your specific needs.

### CARGO HOLDERS

Increase organization by giving a specific spot to store your equipment. Instead of being loose on the floor, your reels, cans etc. can be secured within easy reach from the door.



**7124**  
Reel Holder with two 5/8" diameter rods



**6057**  
Can Holder



**6068**  
Hard Hat Holder, painted wire



**6063**  
Paper Holder, extra deep, 5 slots

### STORAGE HOOKS

Keep frequently used items such as hats, vests and extension cords hanging within easy reach while on the road.



**6070**  
6" Hook, 3" opening, painted



**6071**  
Triple 6" Hook, 3" opening, painted



**6073**  
Large aluminum movable Hook, 6.5" opening

## GRAB HANDLE

It is always useful to have something to hold onto when climbing into your van. Grab handles can also be used to tie down extra cargo during transport.



**6093-27**

Large grab handle

## LED LIGHTING

Keeps the cargo space bright, making visibility easy, no matter what time of day or night. Eliminate any chance of injury when searching through your tools in the dark.



**6092-42**

Universal LED light kit for vans (12V DC / 1200 Lm / 10W)

## EMERGENCY KIT

With 3 triangles per kit, and a holder to keep them secure while driving, the emergency kit is a good tool to have just in case of a breakdown on the highway.



## FLETTNER VENT

Guard yourself against smells or vapours that may build up in the cargo area. The Flettner vent is a simple way to stay healthy while on the job.

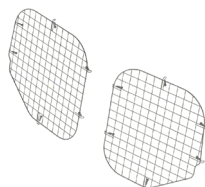


**6050**

Flettner vent, rotary design

## WINDOW GRILLS

Protect your van against theft and prevent damage to the van during loading or unloading, with Ranger Design's window grills.



**6124**

Set of 2 rear window grills

SCAN AND VISIT OUR WEBSITE TO VIEW MORE ACCESSORIES



# LADDER RACKS

## LADDER RACKS

Increase the efficiency, cargo space and safety with the right roof rack for the job.



Cargo Rack

Aluminum

PART			
<b>1605-TC</b>	105, 120.5"	Standard	-
<b>1605-TC3 - 3 Bar</b>	105, 120.5"	Standard	-



Combination Rack - 2 bar

Aluminum

PART			
<b>1625-TC</b>	105, 120.5"	Standard	24 ft



Double Clamp Rack

Aluminum

PART			
<b>1630-TC</b>	105, 120.5"	Standard	24 ft
<b>1630-TCX - 3 Bar</b>	105, 120.5"	Standard	28 ft

VISIT OUR WEBSITE  
FOR OUR FULL-LINE OF  
LADDER RACKS



# TURN-KEY FLEET SERVICES



## Ship Through or Local Installation Across North America for all Types of Cargo Vans

We are pleased to offer an efficient, personalized service to answer all questions regarding:

### 1. Analysis

- › Cargo Needs Analysis
- › Custom 3D CAD Layouts
- › Hands-on Equipment Demo

### 2. Testing

- › Test Fitting
- › Pilot Build and Review
- › Package Optimization based on Technician Feedback

### 3. Delivery

- › Delivery, Production, Installation Planning and Scheduling
- › Vehicle Status Tracking

### 4. Service

- › Dedicated Fleet Account Management Team
- › Distributor Service Support Network
- › Live Customer Service





**MAXIMIZE CARGO CAPACITY &  
VEHICLE PERFORMANCE WITH  
ORGANIZED STORAGE SYSTEMS**

When you want the perfect upfit solution for your work vehicle, turn to Ranger Design. Crash-tested for toughness, Ranger Design's shelving and upfits will take whatever abuse you can dish out. Their unsurpassed craftsmanship, combined with ideal fit and finish, provide a quiet ride with no rattles.



**CONTACT US**

[cs@rangerdesign.com](mailto:cs@rangerdesign.com)

1-800-565-5321

[rangerdesign.com](http://rangerdesign.com)

